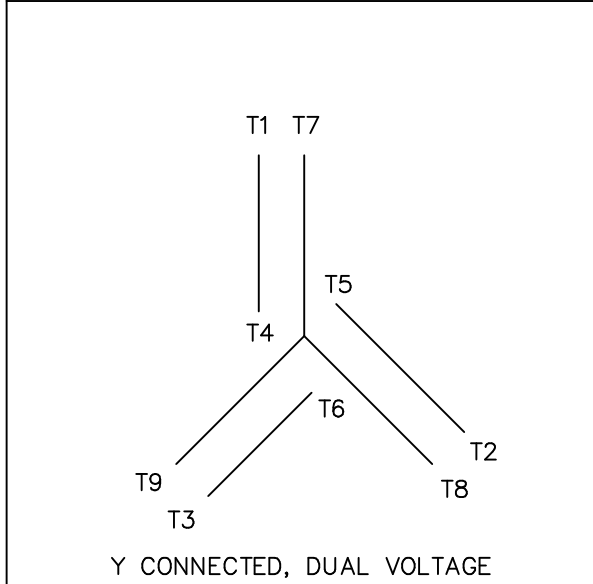
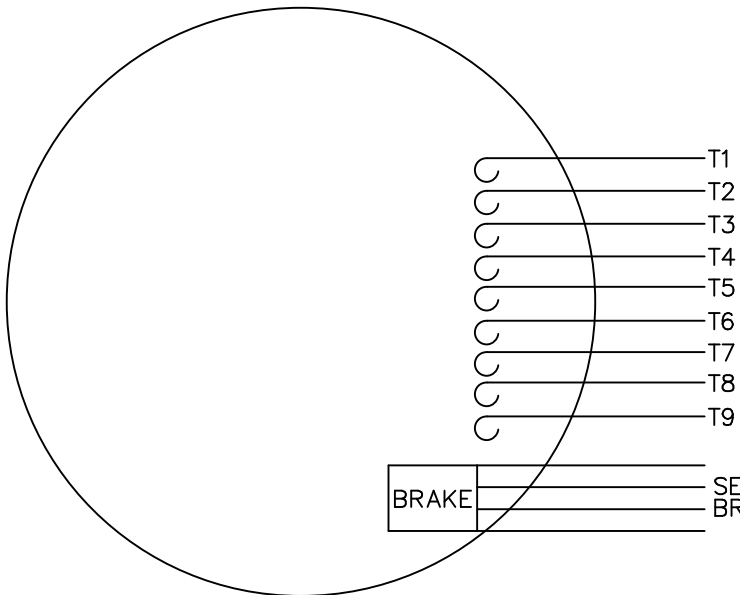


CAUTION:
LEAD WIRE INSULATION TO EXTEND
MINIMUM OF 1/4" INTO CONNECTOR
INSULATION

LINE LEADS



VOLTAGE	L1	L2	L3	JOIN
HIGH	T1	T2	T3	(T4,T7) (T5,T8) (T6,T9)
LOW	T1,T7	T2,T8	T3,T9	T4,T5,T6



BRAKE SEE TABLE FOR BRAKE CONNECTIONS

TYPE "T" W/O PROTECTOR

VIEW FROM OUTSIDE OF MOTOR AT LEAD END.

REF. DECAL (MOTOR) - 004014

REF. DECAL (BRAKE) - 080034 (STEARNS & DINGS BRAKE)

VOLTAGE	BRAKE CONNECTION					
	STEARNS BRAKE			DINGS BRAKE		
	L1	L2	JOIN	L1	L2	JOIN
HIGH	1(RED)	2(RED)	3(BLACK) 4(BLACK)	2(BLACK)	4(YELLOW)	1(YELLOW) 3(BLACK)
LOW	1(RED) 3(BKACK)	2(RED) 4(BLACK)	-----	2(BLACK) 3(BLACK)	1(YELLOW) 4(YELLOW)	-----

				TOLERANCES UNLESS OTHERWISE SPECIFIED		LEESON ELECTRIC CORPORATION			
				DECIMALS					
				.00	± .01	DRAWN JJK 9/17/96	TITLE EXTERNAL WIRING DIAGRAM STANDARD 3 PHASE - DUAL VOLTAGE		
				.000	± .005	CH'K'D.			
01	ADDED DINGS AND BRAKE TABLE (PER CN114156)	TMZ	11/12/96	.0000	± .0005	APPR.	MAT'L W / STEARNS OR DINGS DUAL VOLTAGE BRAKE CONNECTIONS		
NO.	REVISION	BY	DATE	FRACTIONS	± 1/64	SCALE 1=2			
THIS DRAWING IN DESIGN AND DETAIL IS OUR PROPERTY AND MUST NOT BE USED EXCEPT IN CONNECTION WITH OUR WORK ALL RIGHTS OF DESIGN AND INVENTION ARE RESERVED				ANGLES	± 1/2"	REF. 005010-01	FINISH	SIZE	DRAWING NO.
				INCH/MM		FMF	LEESON STOCK	A	005010 PG.15